



MODERN WELDING CO., INC.
EXPANDS OUR LINE OF TANKS.

UltraLube™

Single and Double-Wall
Rectangular Storage Tanks



Modern Welding Company, Inc. manufactures single wall, double wall and jacketed secondarily contained underground storage tanks under the trade names of Glasteel™ and Glasteel II.™ Aboveground storage tanks are single wall and double wall construction. Available in fire rated configurations and marketed under the trade names of Flameshield™ and Fireguard™. Products are Underwriter's Laboratories listed conforming to construction standards, UL-58, UL-1746, UL-142, UL-2085 and UL-2244.

See a complete list of our fabricated products at www.modweldco.com

Modern Welding is a financially sound company spanning decades since 1932. We are extremely proud of our Quality Products and the Quality of Service reputation we have earned over the past 70 plus years.

Our team of fabrication professionals is the finest craftsmen in the industry. We employ the highest standards of design and fabrication that allow us to provide fast, quality service to our customers throughout the world.

Modern Welding's position in the U.S. has elevated us into a leadership role in Global markets. Our hands-

on approach to service and our industry expertise is linked by a state-of-the-art information network. This allows our subsidiaries to provide our customers with fast, efficient service.

Our craftsmanship is of the highest quality in storage tanks, oil/water separators, steel ductwork, custom-built pressure vessels, fractioning columns, and structural steel. It is our dedication and experience that virtually makes Modern Welding's capabilities unlimited. Our customers expect it and Modern Welding delivers... anywhere.

Rectangular tanks to fit the requirements of your business from Modern Welding.

UltraLube™ Tanks

The UltraLube Tank is designed to give you the convenience and flexibility of indoor or outdoor installation. All tanks are available in either UL142 single-wall or double-wall construction and are environmentally safe and structurally sound. Double-wall tanks listed as integral secondary containment do not require a dike for leak protection. The UltraLube Tank provides reliable storage for flammable and combustible liquids and is tested and labeled in accordance with Underwriters Laboratories for Aboveground Storage of Flammable and Combustible Liquids and complies with the requirements of NFPA 30 regulations.

Ask about Modern Welding's New **Bench Top Tank**

STANDARD FEATURES:

- UL142 Listed
- Bottom supports for visual inspection and easier handling
- Standard fittings with thread protectors for shipping
- Primed Exterior
- Lifting Lugs
- Product Decals
- 12 month limited warranty

OPTIONS:

- Single or Multi compartments
- Custom dimensions
- Spill Box
- Interior coatings
- Exterior coatings
- Equipment packages installed prior to shipping
- Cylindrical tanks available

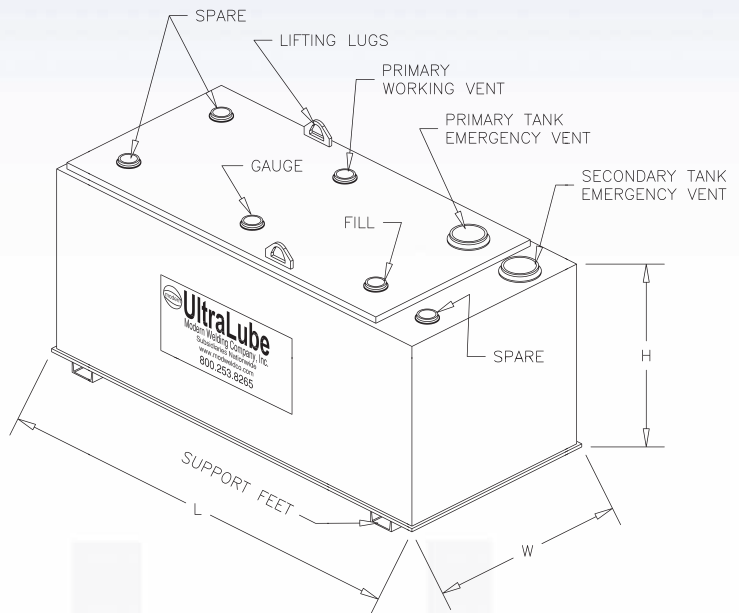
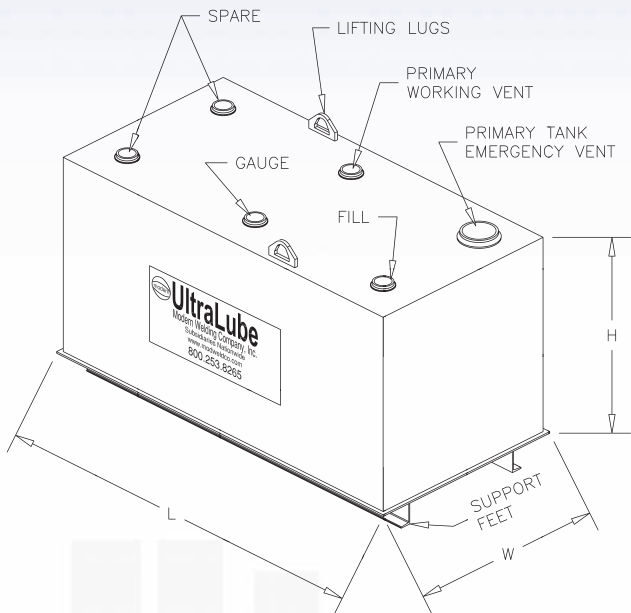


Lube oil compartment tank

UltraLube

Single-Wall UL 142					
CAPACITY GALLONS	OVERALL DIMENSIONS			WEIGHT (LBS)	
	L	X	W X H		
60	2'7"	X	1'3" X 3'4"	200	
120	2'7"	X	2'3" X 3'4"	275	
280	5'1"	X	2'7" X 3'4"	510	
480	7'4"	X	3'5" X 3'0"	790	
500	5'1"	X	2'9" X 5'4"	780	
650	6'7"	X	2'9" X 5'4"	980	
1,000	10'1"	X	2'9" X 5'4"	1,400	
1,500	12'6"	X	3'8" X 4'11"	1,900	
2,000	13'1"	X	4'8" X 4'11"	2,820	
2,500	16'3"	X	4'8" X 4'11"	3,411	
3,000	19'6"	X	4'8" X 4'11"	4,010	
4,000	21'4"	X	4'8" X 5'11"	4,840	
5,000	16'2"	X	7'8" X 5'11"	6,260	
6,000	19'4"	X	7'8" X 5'11"	7,230	
8,000	19'0"	X	7'8" X 7'11"	8,390	
10,000	23'8"	X	7'8" X 7'11"	10,130	
12,000	28'4"	X	7'8" X 7'11"	11,940	
15,000	35'5"	X	7'8" X 7'11"	14,560	
20,000	47'2"	X	7'8" X 7'11"	18,930	

Double-Wall UL 142					
CAPACITY GALLONS	OVERALL DIMENSIONS			WEIGHT (LBS)	
	L	X	W X H		
60	3'4"	X	1'5" X 3'6"	420	
120	3'4"	X	2'5" X 3'6"	560	
280	5'10"	X	2'9" X 3'6"	950	
480	8'1"	X	3'7" X 3'2"	1,400	
500	6'0"	X	2'11" X 5'6"	1,430	
650	7'6"	X	2'11" X 5'6"	1,750	
1,000	11'0"	X	2'11" X 5'6"	2,465	
1,500	13'6"	X	4'0" X 5'1"	3,360	
2,000	14'1"	X	5'0" X 5'1"	4,990	
2,500	17'3"	X	5'0" X 5'1"	5,960	
3,000	20'8"	X	5'0" X 5'1"	7,000	
4,000	22'6"	X	5'0" X 6'1"	8,570	
5,000	17'4"	X	8'0" X 6'1"	9,990	
6,000	20'6"	X	8'0" X 6'1"	11,520	
8,000	20'2"	X	8'0" X 8'1"	13,730	
10,000	24'10"	X	8'0" X 8'1"	16,430	
12,000	29'6"	X	8'0" X 8'1"	19,230	
15,000	36'9"	X	8'0" X 8'1"	23,365	
20,000	48'6"	X	8'0" X 8'1"	30,210	



Used for the storage of new oil, waste oil, and lube oil

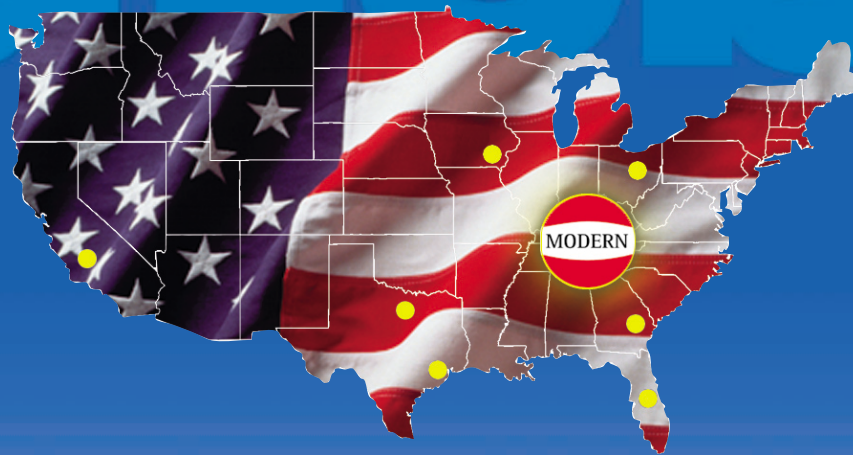
NOTE:

Overall dimensions DO NOT include height of Lifting Lugs.

Tanks up to 3,000 gallons—add 3"; Tanks 4,000 gallons and over—add 6".

UltraLube™

The Newest in Rectangular Tanks from the leading manufacturer...
Modern Welding.



MODERN WELDING SUBSIDIARIES TO SERVE YOU.

Modern Welding Company of Ohio, Inc.
One Modern Way
Newark, Ohio 43055
740-344-9425
740-344-6018 (Fax)
modern5@modweldco.com

Modern Welding Co. of Owensboro, Inc.
1450 E. Parrish Ave.
Owensboro, Kentucky 42303
270-683-5323
270-684-5245 (Fax)
modern1@modweldco.com

Modern Welding Company of Georgia, Inc.
300 Prep Phillips Drive
Augusta, Georgia 30901
706-722-3411
706-724-8133 (Fax)
modern14@modweldco.com

Modern Welding Company of Iowa, Inc.
2818 Mt. Pleasant Road
Burlington, Iowa 52601
319-754-6577
319-754-8428 (Fax)
modern8@modweldco.com



Modern Custom Fabrication, Inc.
2421 E. California Ave.
Fresno, CA. 93721
559-264-4741
559-237-3413 (Fax)
modern16@modweldco.com

MODERN WELDING CO., INC.

Corporate Offices

2880 New Hartford Road • Owensboro, KY 42303
Phone: 270-685-4400 • Fax: 270-684-6972
www.modweldco.com • E-mail: modern@modweldco.com

800.253.8265

